

## TECHNICAL DATA



DR10

- Accuracy:  $\pm 0.05\%$  of capacity  $\pm 1$  increment
- Breaking strength: 500% of capacity
- Allowed peak load: 200% of capacity
- Taring range: 100% of capacity
- Working temperature:  $-20^{\circ}\text{C} \dots +50^{\circ}\text{C}$
- Display: 5 digit, 50 mm high LED
- Push button: On/Off, Tare, G/N, Zero
- Infrared remote controller: working distance 30 m
- Battery operated maintenance free
- Operation time: 100 h per full charge
- Battery type: 12V/12Ah, rechargeable
- External charger: 230V-50Hz, charging time 8 h
- Internal protection against overcharging
- Battery voltage indication in ten steps when starting scale
- Low battery voltage warning during operation
- Automatic zeroing and check-up when starting scale
- Overload indication if load exceeds capacity by 9 increments
- Automatic power off if not used for 10 minutes
- Digital filter to assure superior stability with moving load
- Real time clock, date and time
- Cast aluminum case IP 65

## OPTIONS

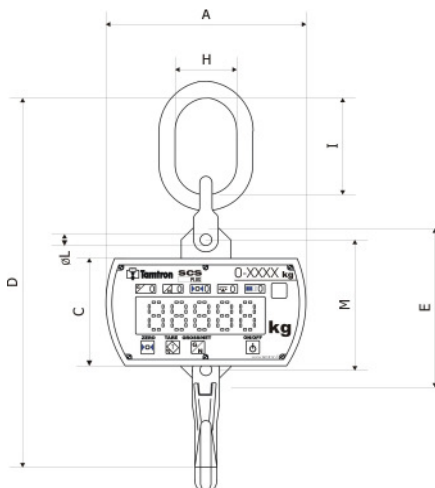
- Battery exchange system
- Foundry model for high temperature use
- Shock resistant steel frame against impacts
- DR10 advanced radio remote control with display
- Long range radio transmission to PC
- Short range radio transmission to PC
- Long range radio transmission to receiver station
- USB cable data transfer with DR10
- Cross beam model for long objects
- Printer mounted on the scale
- Transport trolley
- Verification certificate
- Summing function
- Log memory for weighing results
- Preset tares
- Hook, ring and connection piece for 20 t, 32 t and 50 t capacities

Capacity (kg)	Increment (kg)	Dimension (mm)							Weight (kg)
		A	C	D	H	I	L	M	
3200	1	320	170	631	100	180	19	210	27
6300	1	320	170	700	110	200	23	225	34
10 000	2	320	170	823	140	260	27	242	45
20 000	5	320	170	687*	-	-	52	290	32*
32 000	10	320	170	761*	-	-	59	310	40*
50 000	10	320	170	944*	-	-	72	340	48*

\*Dimensions with and Weight without shackles.

## DELIVERY INCLUDES

- Infra red remote controller
- Battery
- Charger
- Lifting equipment
- Calibration certificate



Capacity (kg)	Lifting equipment	Shipping weight (kg)
3200	hook & ring	43
6300	hook & ring	50
10 000	hook & ring	61
20 000	2 pcs. shackles	75
32 000	2 pcs. shackles	98
50 000	2 pcs. shackles	142